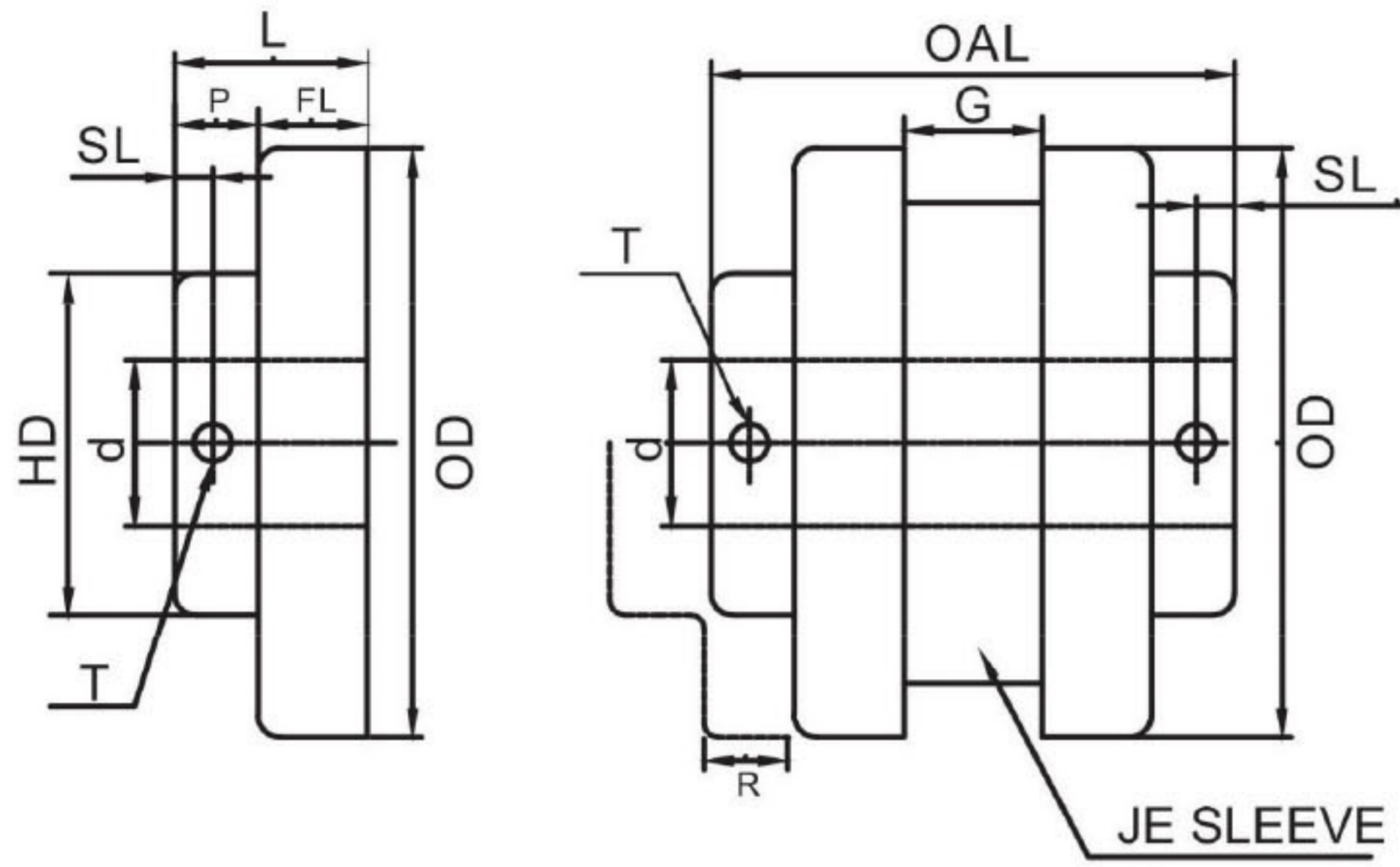
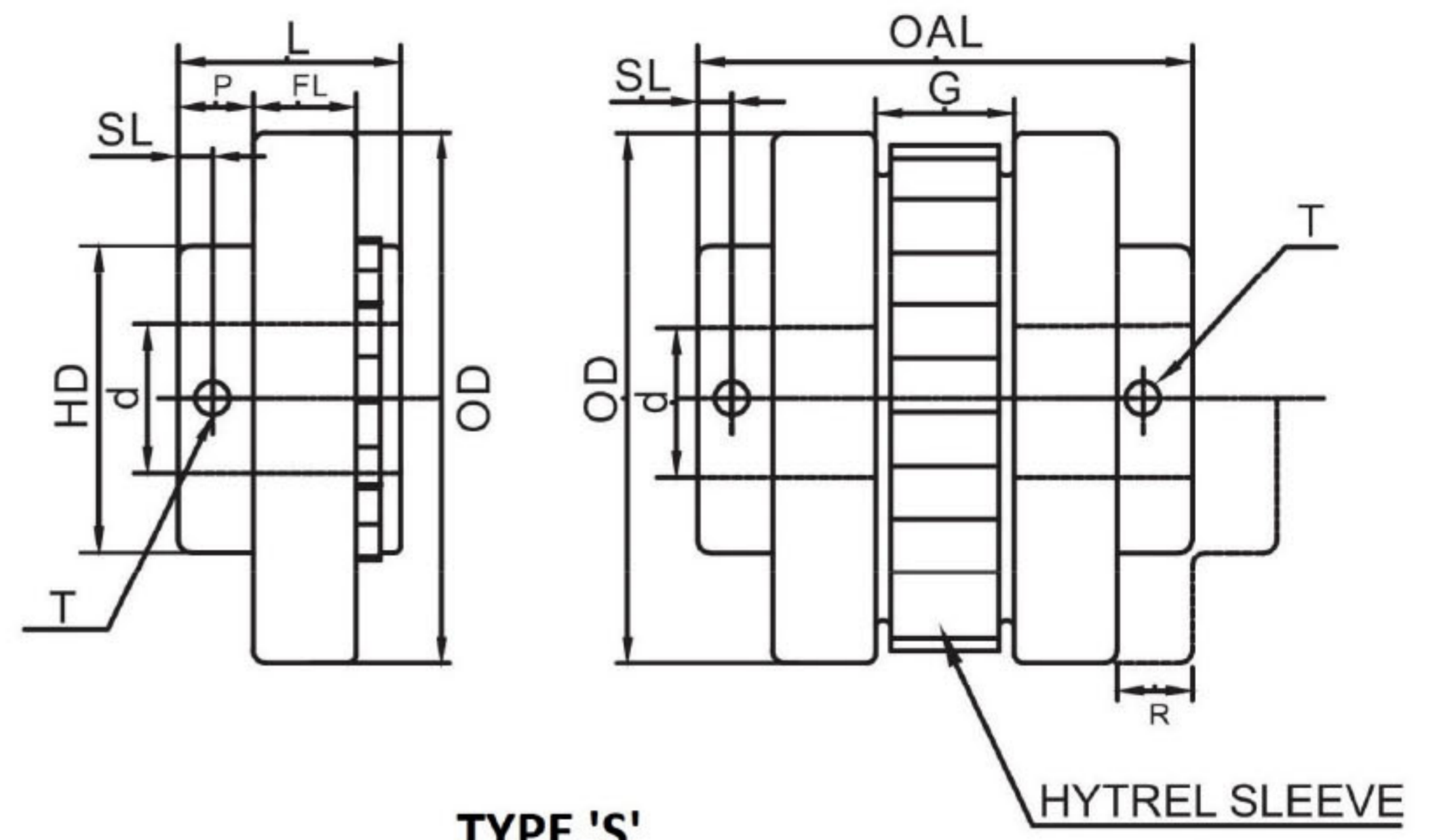


SECUREFLEX COUPLINGS



TYPE 'J'



TYPE 'S'

			Dimensions									
Size	Bore		OD	HD	L	FL	SL	P	T	G	OAL	R
	min	max										
3J	0	22.23	52.37	38.1	20.82	9.65	6.35	11.17	1/4-20	11.17	52.81	14.22
4J	0	25.40	62.48	41.4	22.34	11.17	6.35	11.17	1/4-20	16	60.68	19.05
5J	0	28.58	82.55	47.75	26.91	14.98	7.36	11.93	1/4-20	19.05	72.87	24.63
6J	0	34.93	101.60	63.5	33.27	19.81	7.36	13.46	5/16-18	22.35	88.9	27.68
5S	0	30.17	82.55	47.75	34.03	14.98	7.36	11.43	1/4-20	19.05	71.87	24.63
6S	0	36.53	101.60	63.5	41.65	19.81	7.36	13.46	5/16-18	22.35	88.81	27.68
7S	0	41.28	117.47	71.37	46.73	19.81	8.89	17.52	3/16-16	25.4	100.1	33.27
8S	0	49.23	138.43	82.55	53.34	22.35	9.65	19.05	3/16-16	28.7	111.5	38.1
	0	49.23	138.43	82.55	49.27	22.35	-	26.16	-	28.7	125.7	38.1
9S	0	60.33	161.29	92.8	61.21	26.16	10.41	19.81	1/2-13	36.57	128.5	44.45
	0	73.03	161.29	104.9	57.91	26.16	-	31.75	-	36.57	152.4	44.45
10S	0	69.85	190.50	111.3	68.58	30.98	10.41	20.57	1/2-13	41.4	144.5	50.8
	0	85.73	190.50	120.7	68.58	30.98	-	20.57	-	41.4	144.5	50.8
11S	0	85.73	219.07	133.4	87.37	38.10	14.22	28.70	1/2-13	47.75	181.4	60.45
	0	98.40	219.07	143	77.72	38.10	-	39.62	-	47.75	203.2	60.45
12S	0	73.03	254.00	124	101.6	42.96	16	32.51	1/2-13	58.67	209.6	68.32
	0	98.43	254.00	146.1	101.6	42.96	-	32.51	-	58.67	209.6	68.32

