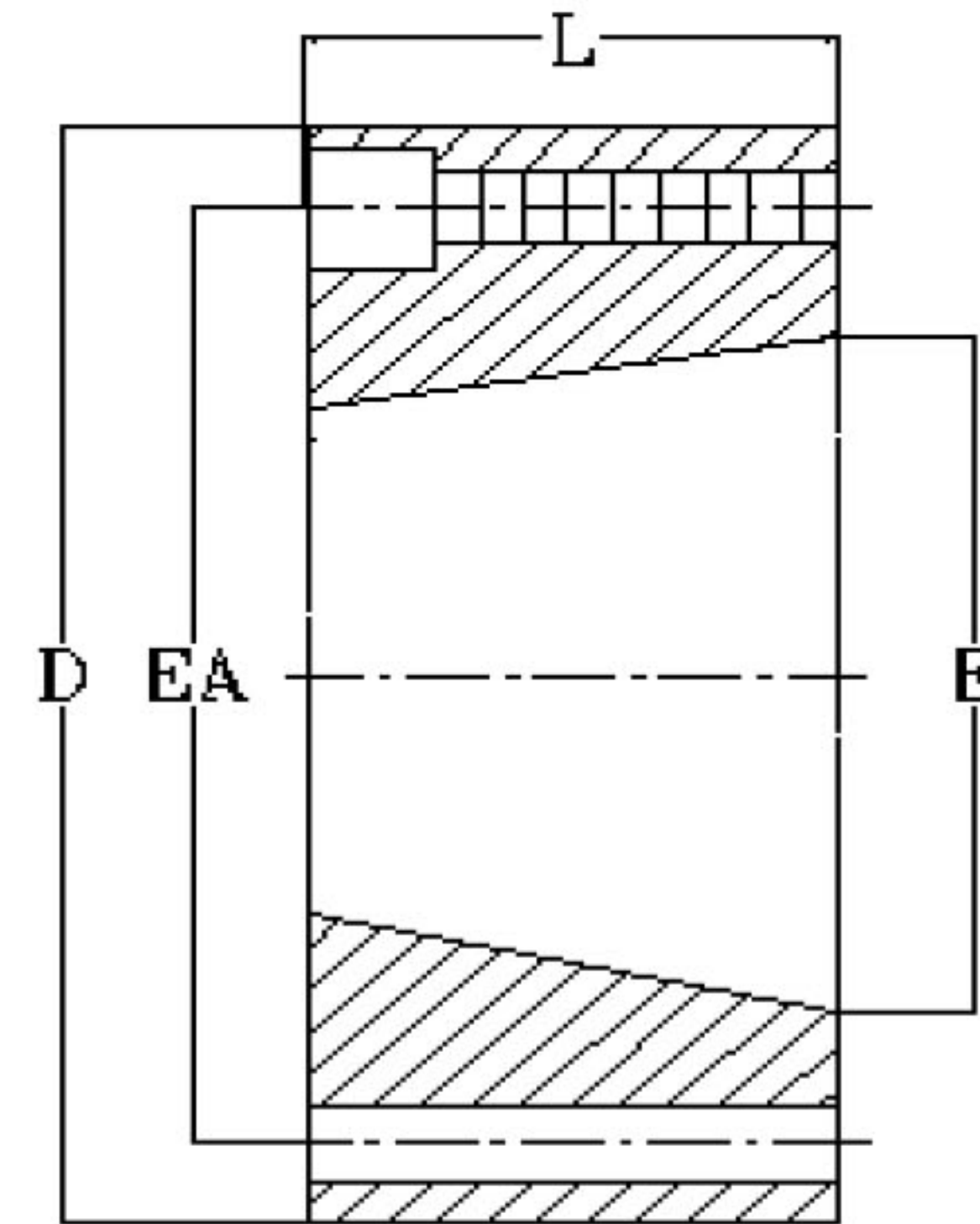
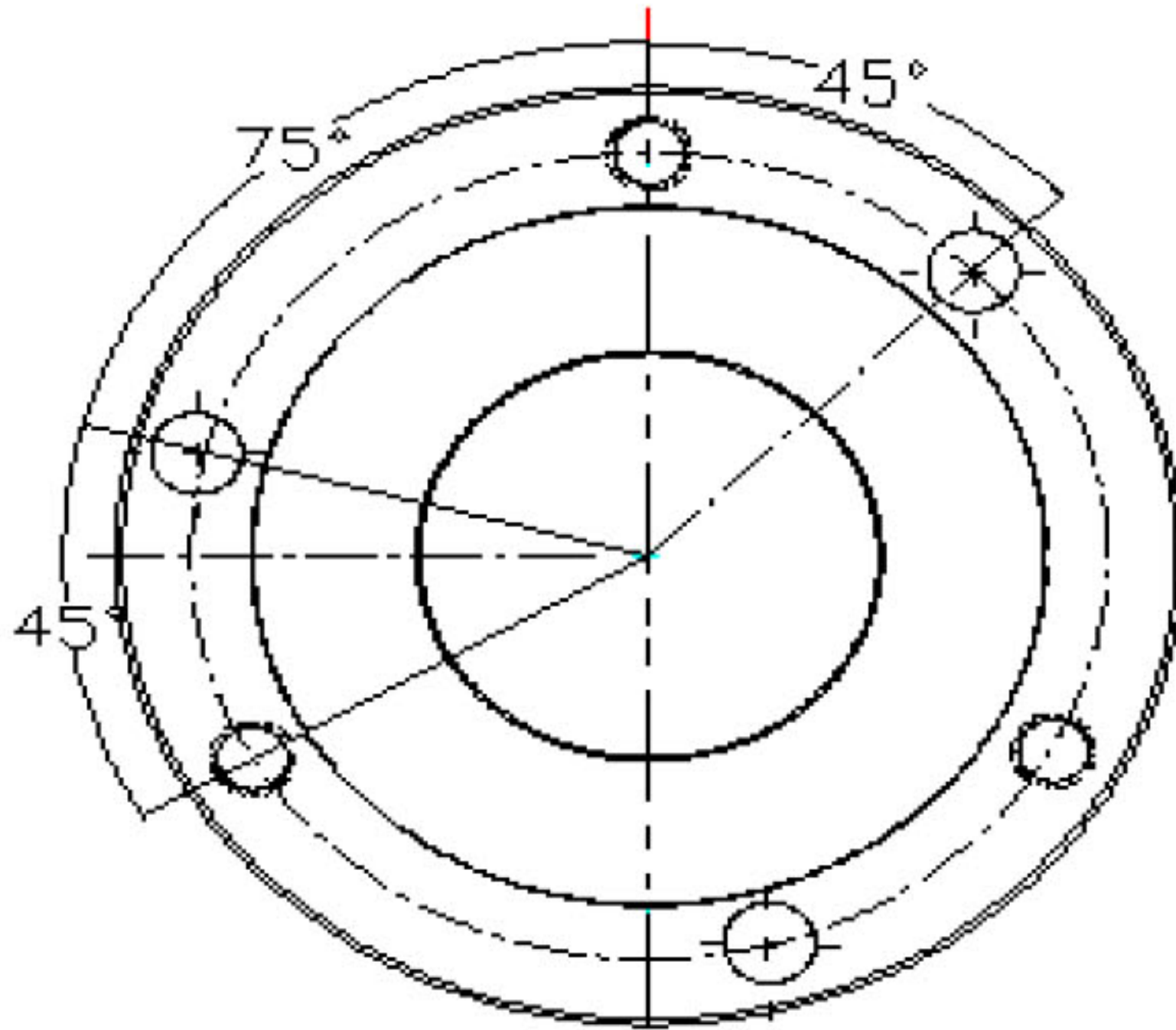


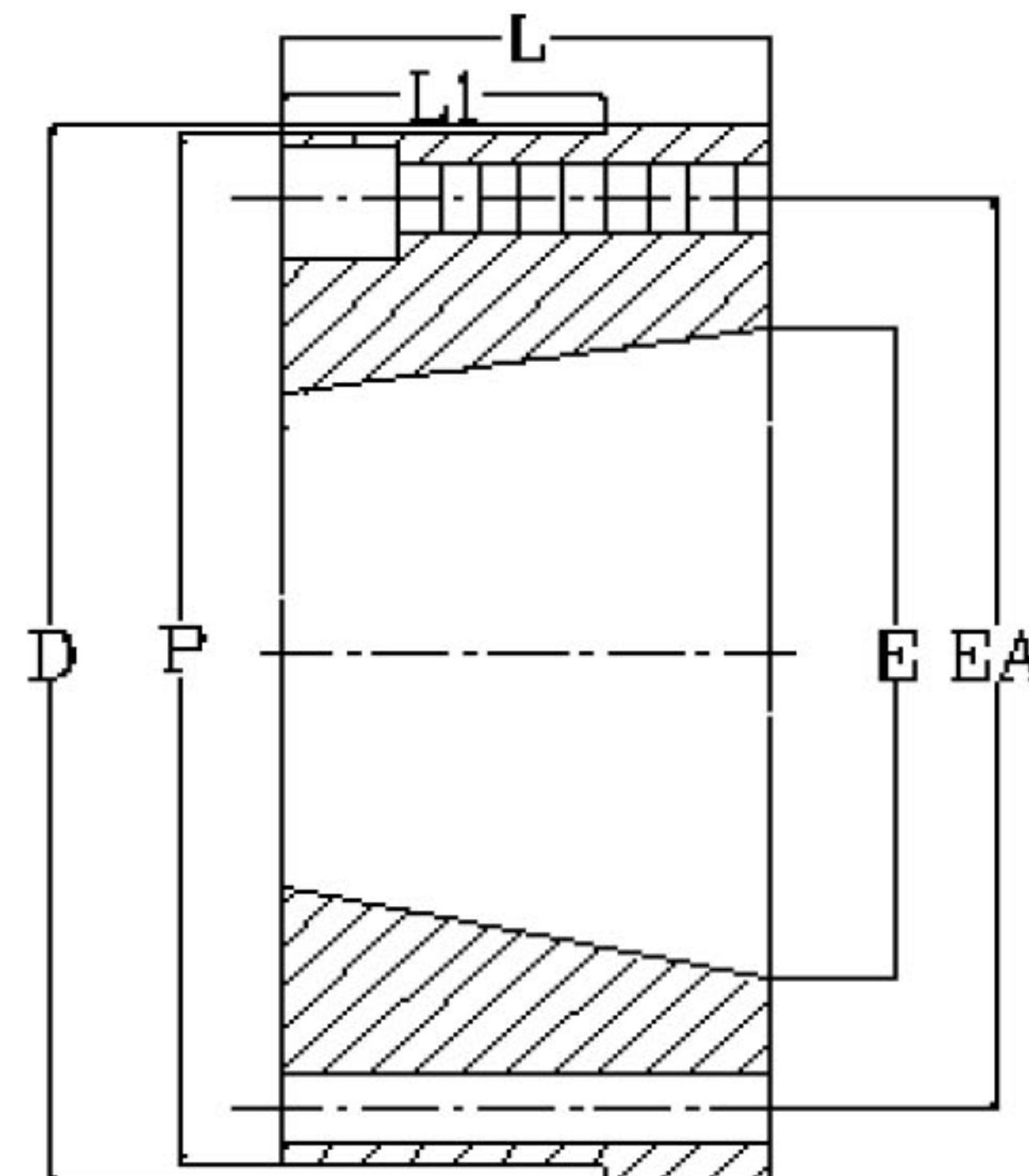
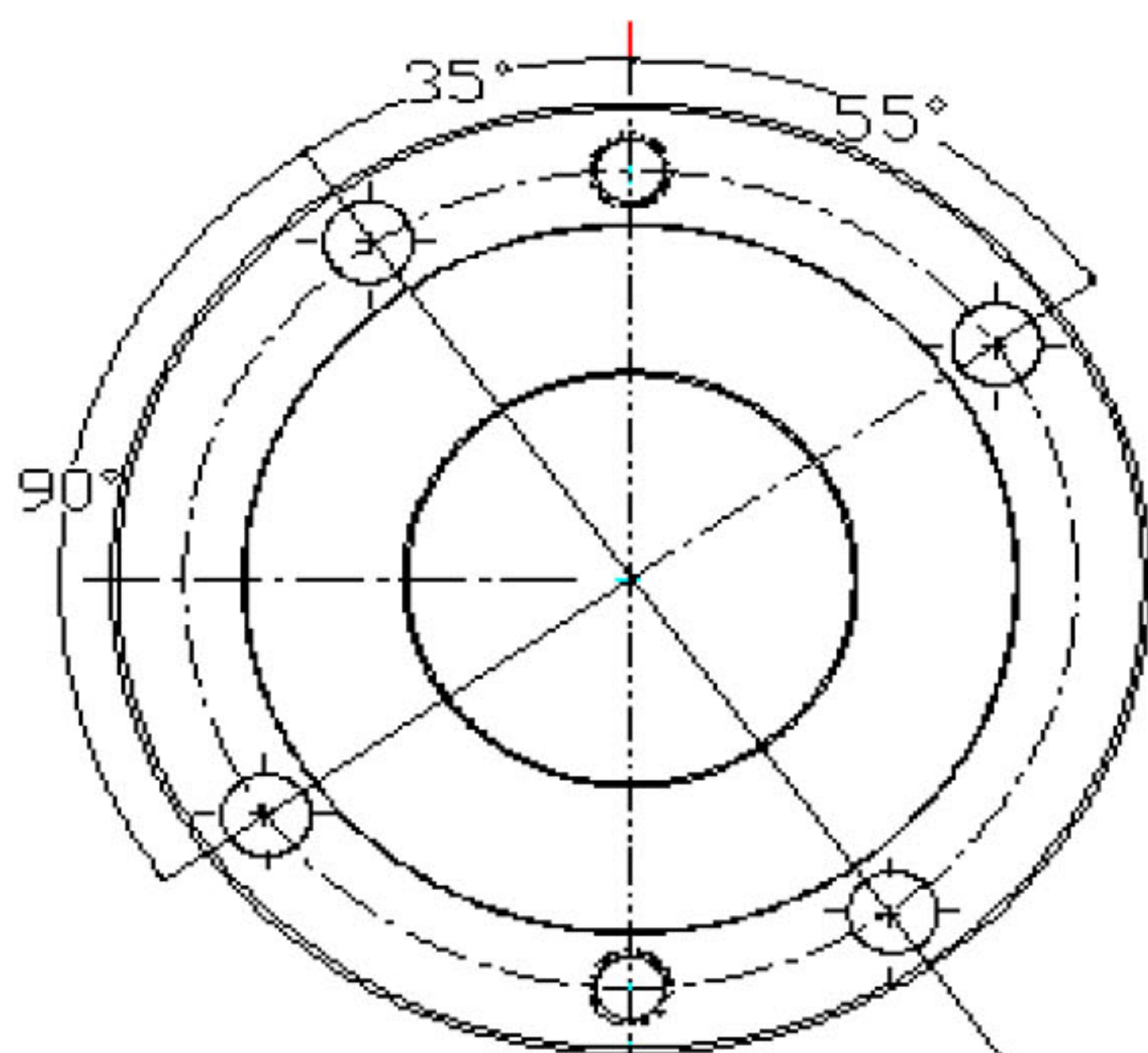
Weld-on-hubs For QD Bushing

QD Type 1 and Type 2 Weld-On Hubs

CCGMF CODE	D★	L	E	P	L1	EA	TYPE DRILLING
JA-A	2.25	9/16	1.375	-	-	1 21/32	1
SH-A	3	13/16	1.871	-	-	2 1/4	1
SDS-A	3.5	3/4	2.188	-	-	2 11/16	1
SK-A	4.375	1 1/4	2.813	-	-	3 5/16	1
SF-A	5	1 1/4	3.125	-	-	3 7/8	1
E-A	6.25	1 5/8	3.832	-	-	5	1
F-A	7	2 1/2	4.437	-	-	5 5/8	1
J-A	7.75	3 3/16	5.14	-	-	6 1/4	1
M-A	9.5	5 3/16	6.494	9.25	3 9/16	7 7/8	2
N-A	10.5	6 1/4	6.99	10.25	4 1/2	8 1/2	2
P-A	13	7 1/4	8.24	-	-	10	2
W-A	15.5	9	10.437	-	-	12 3/4	2
S-A	19.5	12	12.125	18.75	7.5	15	2



TYPE 1



TYPE 2